

Walkin' Wheels[®]
Walkin' Pets by HandicappedPets.com

Owner's Manual

MINI Frame



Luna

Walkin' Wheels[®] is a registered trademark of Wheels for Pets, LLC

Thank you for purchasing Walkin' Wheels® MINI wheelchair.

Questions or comments?

Call us at: (603) 577-8854 or

Email us at: HelpMe@WalkinPets.com

Contents

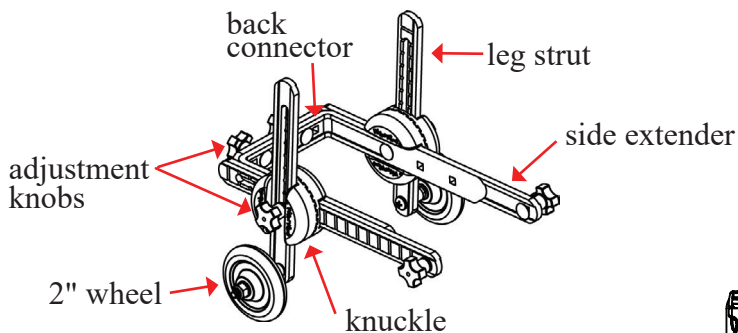
The Walkin' Wheels MINI: 3 Sizes.....	3
Parts of the Walkin' Wheels® MINI.....	4
Teach Your Pet to Use the Walkin' Wheels®	5
Quick Start Guide	6
Attaching the Leg Rings	8
Stirrups.....	9
Wheel Sizes.....	9
Ready to Start Rolling?.....	9
Questions or Fitting Evaluation?	10
Maintenance, Liability, and Guarantee	11
Handicapped Pets Foundation & Miracle Dogs Book.....	11



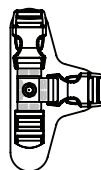
The Walkin' Wheels® MINI: 3 Sizes

Depending on your pet's measurements you were sent **one** of the following wheelchairs.

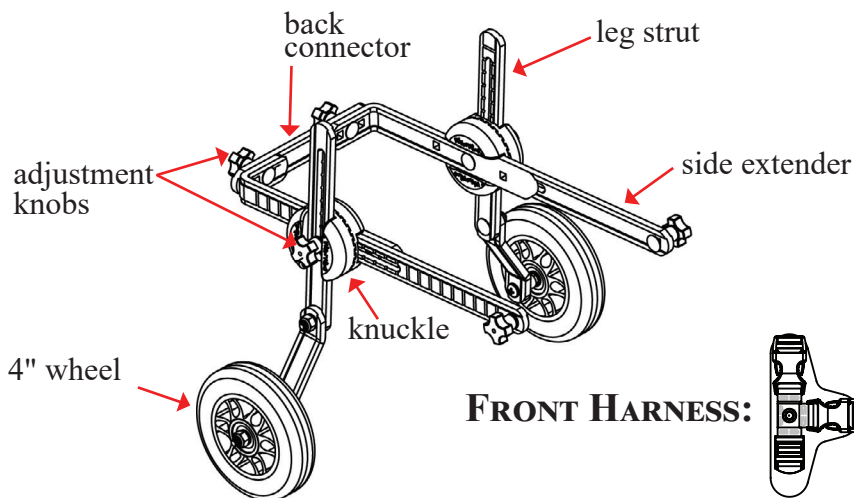
MINI B1:



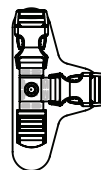
FRONT HARNESS:



MINI B2 OR MINI B3:



FRONT HARNESS:



Parts of the Walkin' Wheels® MINI



Extra Fastener Set



Leg Ring Clamps



MINI B1
wheelchair frame with
Width Connector,
Extenders, Struts, and
2" Wheels installed.



MINI B2
wheelchair frame with
Width Connector,
Extenders, Struts, and
4" Wheels installed.



MINI B3
wheelchair frame with
Width Connector,
Extenders, Struts, and
4" Wheels installed.



Front Harness
with comfort sleeves
(attached to frame.)



Leg Rings for
(seat) support.



Stirrups to keep paws from
dragging; use if needed.

Teach Your Pet to Use the Walkin' Wheels®

We created the Walkin' Wheels® with the intention that you will adjust the wheelchair, put your pet in it, and in a few moments watch him/her running and playing again. It can happen that way, but it doesn't always.

A wheelchair can be an adjustment for an animal. To some, there is a strange device following him/her around making odd noises and getting caught on furniture and doorways. They will adapt to these changes, but need a little time.

We recommend you be calm, quiet, and slow when putting on the wheelchair for the first time. Give your pet lots of stroking and reassurance. Treats help, too!

1. When starting this process we suggest that you use really good treats to reward your pet for positive reinforcement/behavior. Dog biscuits are usually not good enough for him/her to get excited about. You won't need to keep using extra special treats every day, just in the beginning of the training process.

A hungry pet is a motivated pet! Work with your pet before you have fed him/her a meal. S/he will be more eager to pay attention and earn the food reward if he is hungry.

2. Do not immediately put your pet in the wheelchair. Assemble the wheelchair and leave it in an area where your pet can see it, smell it, and touch it.
3. Use Quick Start Guide on next page.
4. After your pet is in the wheelchair hold the food reward right at his/her nose level, and feed several pieces. Then you can move one foot backwards, again holding the food reward in front of you. S/he should then walk toward you to get the treat. Before you know it, s/he is walking in the Walkin' Wheels! Again, give him/her a treat and positive praise.
5. Work in very short (5-10) minute sessions, several times a day to start off. Give your pet rest periods between each session.

Note: Please do not leave your pet unattended in the wheelchair. Do not leave your pet in it all day. One hour is recommended.

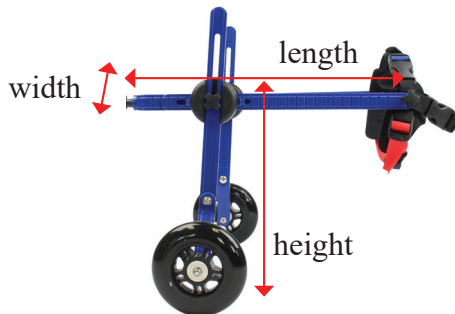
Quick Start Guide

Your Walkin' Wheels MINI box contains everything you need to get your pet rolling.

1. Take wheelchair out of box. Front harness red strap will be on the bottom and blue strap on the top. Release the two clips so they hang down, keeping it attached to the wheelchair.
2. Releasing the wheels on knuckle. Turn the knob on the knuckle counter clockwise 5 turns to loosen it up. Move the strut perpendicular to the wheelchair frame **with the red harness strap on bottom**. Adjust the height according to your fold of flank measurement (see p.8).
3. Length: While the knob is still loose, adjust the length to your dog's armpit to rump measurement (see p.7).
4. Knuckle Adjustment: Tighten the round black knuckle so the teeth are engaged tightly.
5. Leg Rings: Attach all four wires around the frame to form a seat. The wires should be wrapped on each side of knuckle tightly. If you push the piece in the middle, it should hang down 1-2" to form a cradle (see p.8).
6. Width: Unscrew the knobs in back and adjust to your dog's widest area, which is usually the chest width (see p.7).
7. Stirrups: Attach stirrups around the two black knobs in the rear. Secure the top part around the knobs, and adjust the length of the stirrups (see p.9).
8. Ready to start rollin: See p.10 to get your pet in the wheelchair.

Watch this:

www.WalkinPets.com/mini-dog-wheelchair-instructional-videos



Width

To set the width of the wheelchair frame to the correct size, measure your pet's chest, and then add an inch to this measurement; the width of the wheelchair frame should be set to this size.

If the width needs to be adjusted, unscrew the rear knobs counterclockwise until the back connector comes off, being careful not to lose the small washers that are inside the knobs.

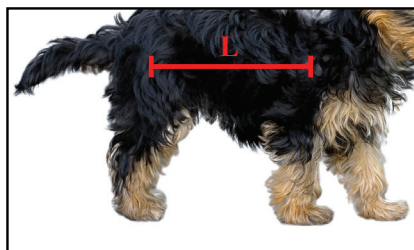
Line up the back connector with whichever holes will give you the width measurement you need. Make sure the back connector is installed on the outside (behind) the wheelchair frame.

Screw the knobs onto the outside of the back connector, making sure to put each washer in between the knob and the back connector. Tighten the knobs.



Length

The knobs that are located on the knuckle hold the struts and side extenders in place. Measure your pet from hip to shoulder blade. Make that measurement match the measurement from the center of the knuckle to the front end of each side extender, as shown below.



Measure your pet from hip to shoulder blade.



Adjust to your pet's measurement.

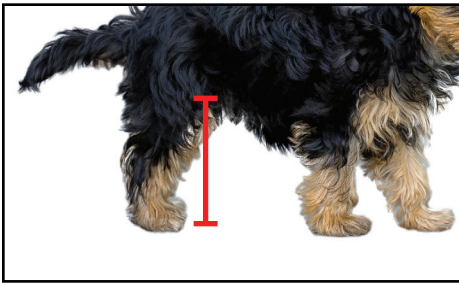
Note: The knuckle should be at the center of your pet's hip. The front of the extender should be at shoulder blade. You should have a few inches in back of the rump for elimination (pee and poop).

Height

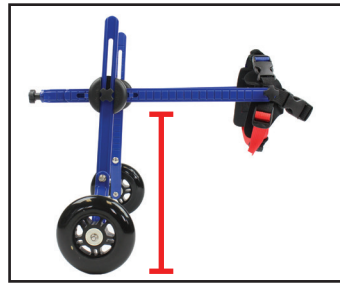
Take your pet's leg measurement (fold of flank); this should match the measurement from the bottom of the knuckle to the ground. Adjust your strut to match your pet's measurement.

You can make this adjustment by unscrewing the knob on each knuckle a few turns, and then sliding the blue strut up to reduce the height, or down to increase the height. Then tighten each knob.

Note: Put your palm on the inside, over the knuckle, for easy movement of struts.



Take your pet's fold of flank measurement.



Adjust to your pet's measurement.

Attaching the Leg Rings and Clamps

After you have the wheelchair adjusted for your pet, you can now install the Leg Ring Clamps. These will prevent the leg rings from sliding forward. You will attach 4 Leg Ring Clamps to the frame, 2 on each side. These will be located on each side of the knuckle.

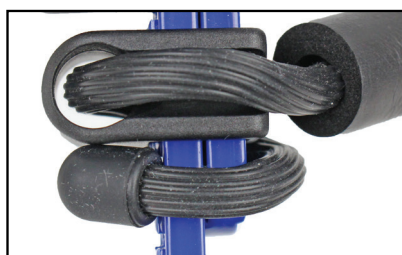
1. Determine if you need the double wide or the single clamp. One bar requires single, two requires the double. (See photos below.)
2. Place clamp over frame with hole on outside, facing outwards.



← Single
Double →



3. Rock the clip back and forth with a downward motion. Make sure the lip on the outside of the clip is under the frame.
4. Slide left or right to lock into place.
5. Feed the wire of the leg rings through the top of the hole then wrap the wire securely around the frame. The leg rings are the rear support system for your pet. The coated wires need to be positioned on either side of each knuckle, making sure the foam leg rings look like two back-to-back letter Cs.



Leg placed inside each ring



Note: The Leg Rings should hang 2-3” below the wheelchair frame, making sure the piece in the middle is connected to the foam tubes.

Stirrups

If your pet's legs are paralyzed, use the stirrups to hold his/her legs off the ground. The top end of each stirrup is secured around each back knob. The top ball lock is used to hold each stirrup in place, and the bottom lock ball is secured above the hock.



Wheel Sizes

Your wheelchair will come with either 2” or 4” wheels attached to the struts. The wheels are all-terrain and will not puncture. If they eventually wear out, you can buy replacements: www.WalkinPets.com/spare-parts

Ready to Start Rolling?

1. Leg Rings: Pick up your pet and set him/her into the Leg Rings. Each leg goes inside the ring. The abdomen will rest on the middle Velcro piece holding the rings together. The rear toe pads should touch the ground. Use stirrups if pet's legs are paralyzed.
2. Front Harness: Take off comfort sleeves. Unhook the blue and black strap, and leave the harness attached to the front knobs. Set pet's front legs in front of the red strap on the front harness. Take the blue strap over the back and clip in place. Put the black strap in front of the chest and clip in place. Adjust all three straps so they are snug. Put comfort sleeves back on. Tuck the excess strapping into the black comfort sleeves.



Note: If you need to wash the harness at some point, you can remove it by unscrewing the knobs on each side, and then removing the screws and washers.

Questions or Fitting Evaluation?

Call: (888) 253-0777

Or email: HelpMe@WalkinPets.com

If you need a fitting evaluation, we are here to assist you. Email us side and rear view photos of your pet in the wheelchair. Make sure that you put your sales receipt number on the subject line, so we can identify who sent it. Or you may call us during business hours.



Maintenance, Liability, and Guarantee

Maintenance: With proper use and maintenance, the wheelchair is designed to last a lifetime. When you need **replacement parts** for the wheels, harnesses, and other wear-and-tear items, they may be purchased at www.WalkinPets.com/spare-parts. The wheelchair frame will not rust. All components can be removed and cleaned. Oiling is not necessary.

Limited Liability: Walkin' Wheels® is provided as a walking aid for animals that are under the care of a veterinarian and for which a wheelchair has been recommended. Wheels for Pets, LLC, and its affiliates, agents, and distributors make no representation to the effectiveness or appropriateness of this product.

Guarantee: The Walkin' Wheels® wheelchair frame is guaranteed by the manufacturer, Wheels for Pets, LLC, for five years from the date of purchase against defects in material or workmanship. If the frame breaks under normal usage, please let us know and we will repair or replace the wheelchair at our option. You are responsible for all shipping charges. Warranty is non-transferable.

Return Policy: If you try the wheelchair and it does not work for your pet because of the design or fit, call us within 30 days from the day the wheelchair arrived. If we can't correct it, we will issue a return authorization number (RA). If refurbishing is needed due to scratches or wear, this will reduce your refund. The RA# must be written on the outside of shipping box or a refund will not be considered. A Return Authorization Form is required for returns.

This form is included in the "Important Document" plastic sleeve on the outside of the shipping box, or you may download it at:

www.WalkinPets.com/form/miniwalkinwheelsreturnpolicy.pdf

All Sizes on a Roll!

MINI



SMALL



MEDIUM

LARGE



www.WalkinPets.com

105 Rt 101A, Suite 18 • Amherst, NH 03031 • (603) 577-8854

Patents: US 7549398 • Japan 5385584 • Canada 2641092 • EPO 2 050 418
Trademarks: Walkin' Wheels® 4,765,026 • 4,882,354 • 3,725,405 • 4,765,026
Other patents pending and trademarks pending.